

Franklin

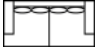
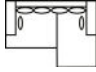

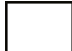


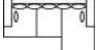



Product information

Visit furninova.com for additional products, catalogues and information.

furninova[®]

Franklin

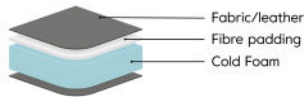
Drawings	Configuration	Drawings	Configuration
	3-Seater W • D • H* 231x103x87 cm Seat Height • Seat Depth : 43x49/57 cm 1.72 m ³ Weight: 85 kg Legs: 4		1,5+Chl L/R W • D • H* 205x161x87 cm Seat Height • Seat Depth : 43x49/57 cm 1.92 m ³ Weight: 108 kg Legs: 6
	2,5-Seater W • D • H* 199x103x87 cm Seat Height • Seat Depth : 43x49/57 cm 1.49 m ³ Weight: 79 kg Legs: 4		Footstool No.19 W • D • H* 75x62x43 cm Seat Height • Seat Depth : 43x49/57 cm 0.21 m ³ Weight: 17 kg Legs: 4
	1,5-Seater W • D • H* 136x103x87 cm Seat Height • Seat Depth : 43x49/57 cm 0.99 m ³ Weight: 60 kg Legs: 4		Back cushion big W • D • H* 73x73x20 cm 0.10 m ³ Weight: 1.7 kg
	2,5+Chl L/R W • D • H* 268x161x87 cm Seat Height • Seat Depth : 43x49/57 cm 2.35 m ³ Weight: 120 kg Legs: 6		Back cushion small W • D • H* 53x53x16 cm 0.05 m ³ Weight: 1.1 kg

*Note that the dimensions may differ +/-3% depending on upholstery and combination.

Comfort



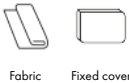
Foam soft (Comfort EU)
 Seat
 Cold foam covered with fibre padding.



Back
 Siliconized ball fibre.



Upholstery



Fabric Fixed cover

Leg options

