

FLEXFORM



GUSCIOALTO *ANTONIO CITTERIO 2011*
ARMCHAIRS

FLEXFORM Spa

Via Einaudi 23/25 20821 Meda (MB) Italy | Tel. +39 0362 3991 | info@flexform.it | www.flexform.it

GUSCIOALTO | ANTONIO CITTERIO | 2011

Structure in rigid polyurethane and polyurethane foam

Seat cushions in sterilized goose down (Assopiuma certified, gold label) with insert in crushproof material

Backrest cushion only for Guscioalto Light in polyurethane foam and dacron

Feet in satined, chrome, burnished, black chrome, glossy anthracite, matt titanium 710 metal finish with turning system. Or in solid Canaletto walnut with raw-wood effect, natural, or stained walnut extra finish; or in solid ash with natural finish or stained walnut, stained teak, stained wenge, stained brown or stained ebony; or in solid oak with raw-wood effect finish.

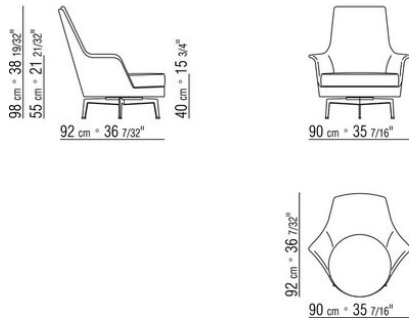
Rests on pads made of thermoplastic material

Headrest cushion in sterilized goose down (Assopiuma certified, gold label) with counterweight in metal with satin, chrome, black chrome, burnished, glossy anthracite, matt titanium 710 finish. The headrest cushion is optional, upon request, with upcharge

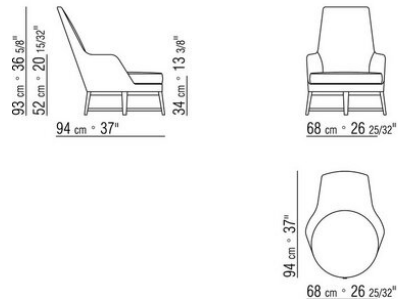
Upholstery is non-removable in both the fabric and leather versions. The possibility to use a fabric has to be checked in advance with Flexform

Piping - only for Guscioalto Light - comes in gros grain, available in all the colors on the sample board. With leather covers the piping comes always in the same leather

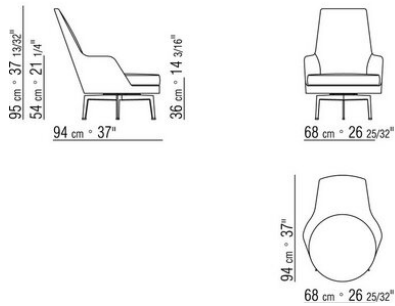
COD. 015M21



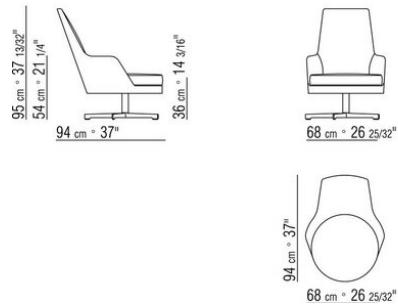
COD. 015M31



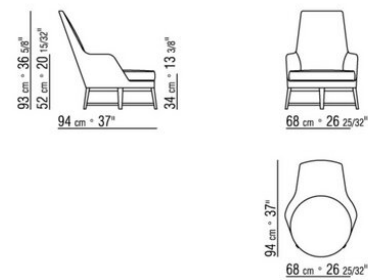
COD. 015M41



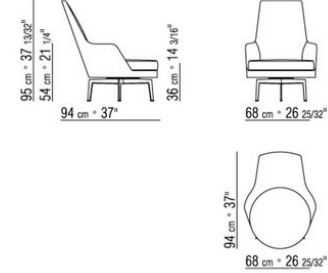
COD. 015M42



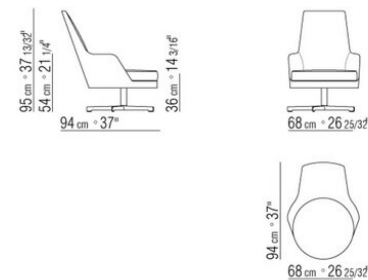
COD. 015M13



COD. 015M11



COD. 015M12



COD. 015M99

