

Connect Air

TAPS COLLECTION



Ideal Standard

A T E L I E R

COLLECTIONS

Connect Air

— TAPS COLLECTION

FRESHNESS AND LIGHTNESS. CONNECT AIR WAS INSPIRED BY THE IDEA OF FUSING A CLASSIC GEOMETRIC PIECE - THE TAP - WITH SHAPES THAT TRANSITION ORGANICALLY FROM EACH OTHER. ALL WITH A SENSE OF LIGHT AIRINESS.

CONNECT AIR
IPALYSS

Vessel mixer / Chrome finish
Round vessel Ø40cm



CONNECT AIR
CONCA

Wall mounted basin mixer / Chrome finish
Round basin Ø45cm and free-standing pedestal



CONNECT AIR
IPALYSS

Vessel mixer / Chrome finish
Vessel 55x38cm / Black Silk finish



CONNECT AIR

Vessel mixer / Chrome finish

IPALYSS

Vessel 55x38cm / Nude finish

CONCA

Vessel unit 160cm 4 drawers / Smoked Oak finish

MIRROR

Square mirror 120cm / Black frame

Connect Air + Ipalyss



CONNECT AIR
CHROME

IPALYSS
NUDE





CONNECT AIR
IPALYSS

Basin mixer / Brushed Gold finish
Basin 55x38cm / Sage finish

Connect Air + Ipalyss



CONNECT AIR
BRUSHED GOLD



IPALYSS
SAGE

CONNECT AIR
SYMFO™ NT1
BLEND

Bidet mixer / Chrome finish
Flush plate / White tempered glass
Floor-standing toilet and bidet / Curve models



Brassware finishes



Chrome



Silver Storm



Brushed Gold



Magnetic Grey

THE FINISHES WITHIN OUR BRASSWARE PALETTE CAN BE COMBINED WITH OUR CERAMICS AND FURNITURE TO CREATE STRONG VISUAL STATEMENTS – THE PERFECT SYNERGY BETWEEN SHAPE, MATERIAL AND COLOUR.



Recommended combinations

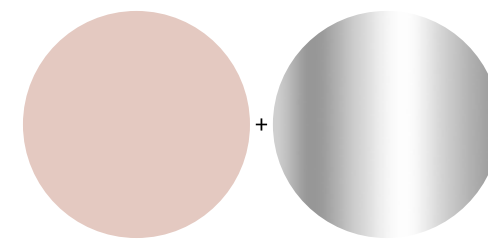
A CAREFULLY CONSIDERED RANGE OF FINISHES, SELECTED TO OFFER YOU FREEDOM OF CREATIVE EXPRESSION.

Ceramics

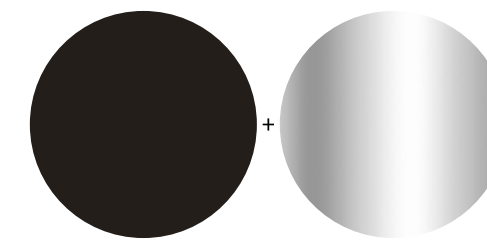
Ten new ceramic colours join White Gloss and White Silk to offer a complete palette that brings a sense of emotion to bathroom interiors. Some colours hark back to historical Ideal Standard designs but with a contemporary and elegant finish, while others are entirely new and have been designed to complement popular modern materials, such as marble and stone.

Brassware

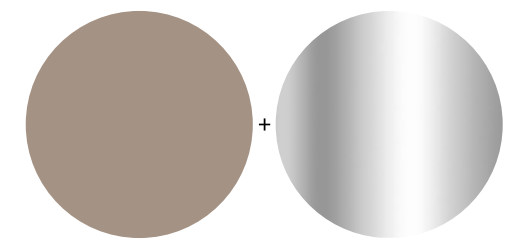
The finishes within our brassware palette can be combined with our ceramics and furniture to create strong visual statements – the perfect synergy between shape, material and colour. PVD coating is by far the most durable coating available. It is ten times more scratch resistant, and has three times more surface hardness.



V7 – Nude AA – Chrome

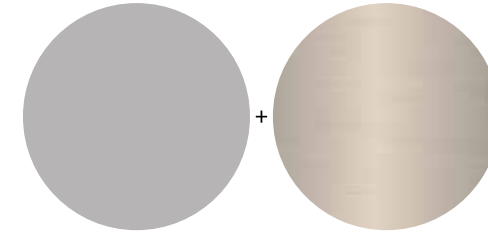


V2 – Black Gloss AA – Chrome

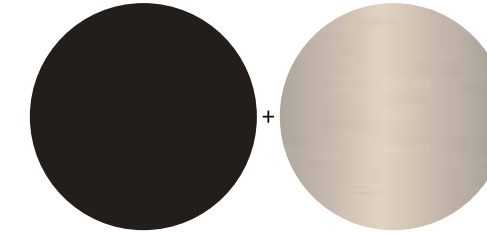


V4 – Kashmir AA – Chrome

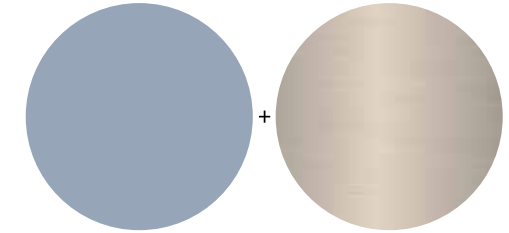
CERAMIC + CHROME BRASSWARE



V9 – Concrete GN – Silver Storm

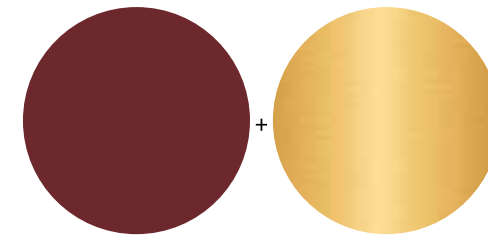


V3 – Black Matt GN – Silver Storm

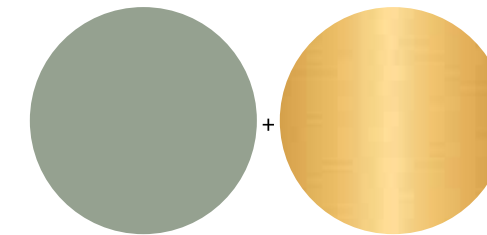


X9 – Powder GN – Silver Storm

CERAMIC + SILVER STORM BRASSWARE

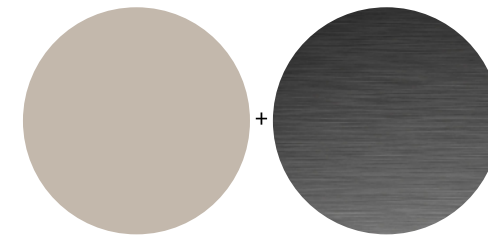


V6 – Pomegranate A2 – Brushed Gold

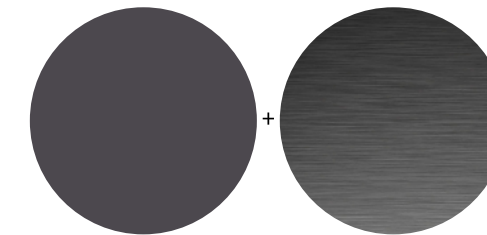


X8 – Sage A2 – Brushed Gold

CERAMIC + BRUSHED GOLD BRASSWARE



V8 – Mink A5 – Magnetic Grey



V5 – Slate Grey A2 – Magnetic Grey

CERAMIC + MAGNETIC GREY BRASSWARE

Engineered with the future in mind

1969 was a landmark year when our engineers pioneered the ceramic disc cartridge to create a unique drip-free, easy-to-use and incredibly durable single lever tap. Today we keep bringing meaningful innovations to the markets to ensure our taps are not only efficient but also offer sustainable features as well as comfort.



ECOFLOW REGULATOR

WATER IS A PRECIOUS RESSOURCE. SAVE WATER WITH ECOFLOW.

Our Eco Flow regulator reduces the water consumption down to 5L/min, without compromising on comfort.



EASYFIX® INSTALLATION

EASY AND FAST TO INSTALL

EasyFix® makes installation simple with its reliability reducing maintenance and cutting installation time by 30%.



BLUESTART® TECHNOLOGY

REDUCE ENERGY USAGE BY UP TO 50% WITH BLUESTART® TECHNOLOGY.

Our BlueStart® Technology means that only cold water flows initially when opening the tap in middle position, hot water being saved unless actively selected by turning the lever. This enables BlueStart® to facilitate energy savings of up to 50%.



SMARTSHINE® FINISHING

SMARTSHINE® FINISHING ALLOWS OUR CHROME TO LAST LONGER.

SmartShine® Finishing allows our chrome to last longer. It makes our taps easy to clean and easy to maintain.



LIGHTMOVE®

SUPERIOR PINPOINT PRECISION OVER WATER TEMPERATURE.

The FirmaFlow® cartridge enables finer temperature adjustments between 34°C and 42°C. Precision is paramount with LightMove®, improving tap handle usability, whilst the in-built hot water limiter makes scalding a thing of the past.



CLICK TECHNOLOGY

SAVE UP TO 50% MORE WATER WITH CLICK TECHNOLOGY

FirmaFlow® uses improved Click Technology with a mechanical stop to limit basin tap water flow to just the amount required for washing hands. This is even more efficient in maintaining flow consistency while reducing usage by up to 50%.



CONNECT AIR

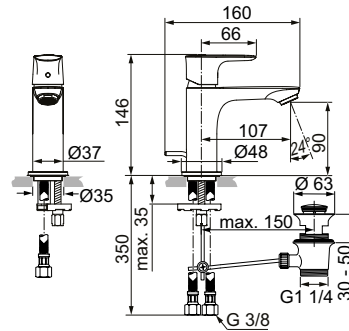
BASIN MIXER



MODEL	CHROME	SILVER STORM	BRUSHED GOLD	MAGNETIC GREY
With Pop-up Waste	A7007AA	A7007GN	A7007A2	A7007A5
Without Pop-up Waste	A7010AA	A7010GN	A7010A2	A7010A5

- Single lever basin mixer
- Pop-up waste on A7007 models
- 5 litres per minute aerator

- Metal escutcheon
- Noise class 1
- EasyFix®



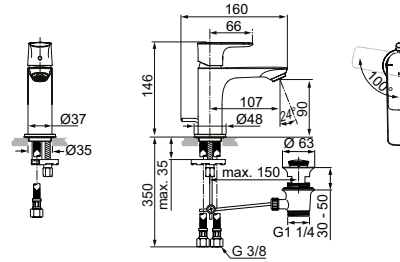
BASIN MIXER – BLUESTART®



MODEL	CHROME	SILVER STORM	BRUSHED GOLD	MAGNETIC GREY
With Pop-up Waste	A7008AA	A7008GN	A7008A2	A7008A5
Without Pop-up Waste	A7011AA	A7011GN	A7011A2	A7011A5

- Single lever basin mixer
- BlueStart® technology
- Pop-up waste on A7008 models
- 5 litres per minute aerator

- Metal escutcheon
- Noise class 1
- EasyFix®



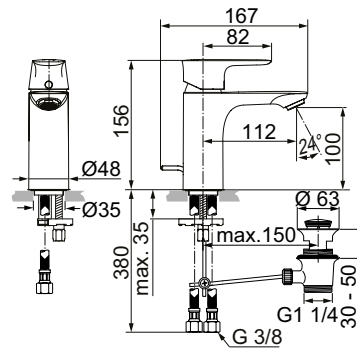
BASIN MIXER PROJECT



MODEL	CHROME	SILVER STORM	BRUSHED GOLD	MAGNETIC GREY
With Pop-up Waste	A7021AA	A7021GN	A7021A2	A7021A5
Without Pop-up Waste	A7024AA	A7024GN	A7024A2	A7024A5

- Single lever basin mixer project
- Pop-up waste on A7021 models
- 5 litres per minute aerator

- FirmaFlow® cartridge with hot water limiter
- Noise class 1
- EasyFix®



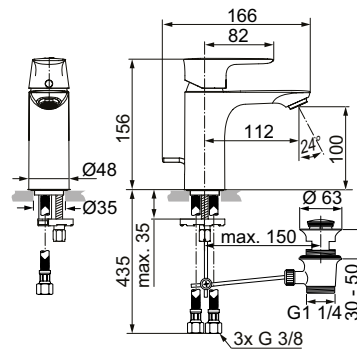
BASIN MIXER PROJECT ND



MODEL	CHROME	SILVER STORM	BRUSHED GOLD	MAGNETIC GREY
With Pop-up Waste	A7022AA	A7022GN	A7022A2	A7022A5

- Single lever basin mixer project for low pressure connection
- Flow liner M24x1

- FirmaFlow® cartridge with hot water limiter
- Noise class 1
- EasyFix®



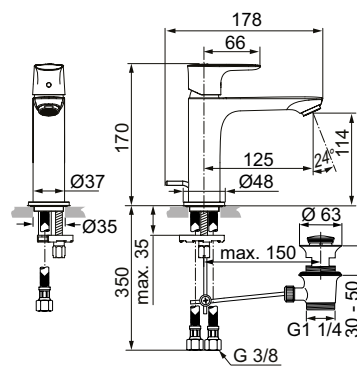
GRANDE BASIN MIXER



MODEL	CHROME	SILVER STORM	BRUSHED GOLD	MAGNETIC GREY
With Pop-up Waste	A7012AA	A7012GN	A7012A2	A7012A5
Without Pop-up Waste	A7015AA	A7015GN	A7015A2	A7015A5

- Single lever basin mixer grande
- Pop-up waste on A7012 models
- 5 litres per minute aerator

- Metal escutcheon
- Noise class 1
- EasyFix®



CONNECT AIR

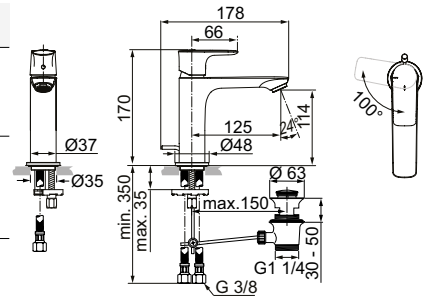
GRANDE BASIN MIXER – BLUESTART®



MODEL	CHROME	SILVER STORM	BRUSHED GOLD	MAGNETIC GREY
With Pop-up Waste	A7013AA	A7013GN	A7013A2	A7013A5
Without Pop-up Waste	A7016AA	A7016GN	A7016A2	A7016A5

- Single lever basin mixer grande
- BlueStart® technology
- Pop-up waste on A7013 models
- 5 litres per minute aerator

- Metal escutcheon
- Noise class 1
- EasyFix®



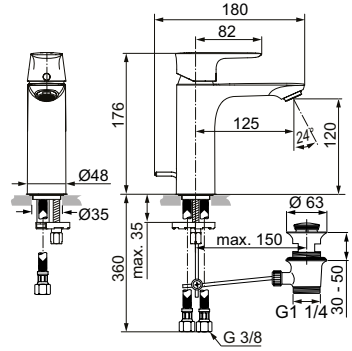
BASIN MIXER GRANDE PROJECT



MODEL	CHROME	SILVER STORM	BRUSHED GOLD	MAGNETIC GREY
With Pop-up Waste	A7053AA	A7053GN	A7053A2	A7053A5
Without Pop-up Waste	A7055AA	A7055GN	A7055A2	A7055A5

- Single lever basin mixer grande PROJECT
- Pop-up waste on A7053 models
- 5 litres per minute aerator

- FirmaFlow® cartridge with hot water limiter
- Noise class 1
- EasyFix®



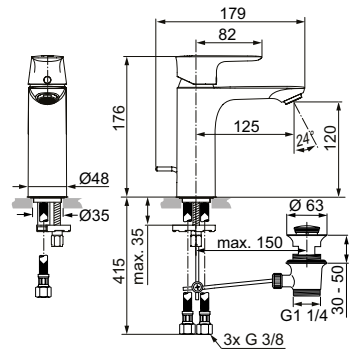
BASIN MIXER GRANDE PROJECT ND



MODEL	CHROME	SILVER STORM	BRUSHED GOLD	MAGNETIC GREY
With Pop-up Waste	A7054AA	A7054GN	A7054A2	A7054A5

- Single lever basin mixer grande project for low pressure connection
- Flow liner M24x1

- FirmaFlow® cartridge with hot water limiter
- Noise class 1
- EasyFix®



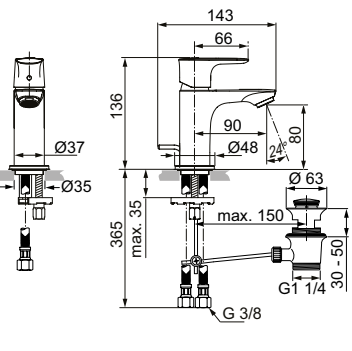
PICCOLO BASIN MIXER



MODEL	CHROME	SILVER STORM	BRUSHED GOLD	MAGNETIC GREY
With Pop-up Waste	A7014AA	A7014GN	A7014A2	A7014A5
Without Pop-up Waste	A7018AA	A7018GN	A7018A2	A7018A5

- Single lever basin mixer piccolo
- Pop-up waste on A7014 models
- 5 litres per minute aerator

- Metal escutcheon
- Noise class 1
- EasyFix®



PICCOLO BASIN MIXER – BLUESTART®



MODEL	CHROME	SILVER STORM	BRUSHED GOLD	MAGNETIC GREY
With Pop-up Waste	A7017AA	A7017GN	A7017A2	A7017A5
Without Pop-up Waste	A7019AA	A7019GN	A7019A2	A7019A5

- Single lever basin mixer piccolo
- BlueStart® technology
- Pop-up waste on A7017 models
- 5 litres per minute aerator

- Metal escutcheon
- Noise class 1
- EasyFix®

