

CERALINE.  
EVERGREEN  
DESIGN .





# INTRANSIENT MODERNITY

Inspired by the purity of cylindrical shape, the CERALINE mixers are the perfect symbiosis of classical austerity and modern spirit.

What makes this collection special is the balance of its composition comprising pure lines and perfect shapes. Exquisite, emblematic and perpetually modern, CERALINE is intended to satisfy every taste and the most stringent requirements for a great variety of spatial configurations.



## ENVIRONMENTALLY FRIENDLY

In addition to its aesthetic value, the collection cares for the environment by saving natural resources.

The CERALINE mixers have special aerators reducing the water flow to 5 l/ min and temperature limiters in order to economize both water and energy.

# CERALINE

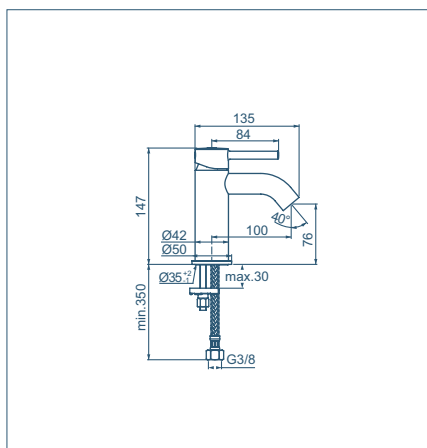
## TECHNICAL SPECIFICATION

### Basin mixer



Model	Ref. No.
Basin mixer with pop-up waste	BC193AA
Basin mixer without pop-up waste	BC268AA
Basin mixer with Click waste	BC186AA

- 35mm ceramic cartridge with hot water limiter
- Metal handle with red and blue colour indication
- Cache aerator 5l/min (Mounted on the product)
- Flow straightener outlet (in the box separately)
- Click waste
- Easy fix installation
- Flexible hoses G3/8" for water supply
- Comply with EN817

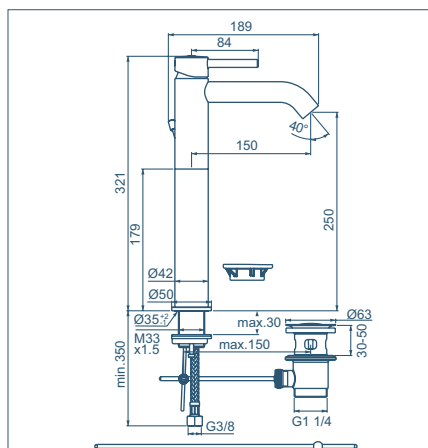


### Basin mixer Vessel with pop-up waste



Model	Ref. No.
Basin mixer Vessel with pop-up waste	BC194AA
Basin mixer Vessel	BC269AA

- 35mm ceramic cartridge with hot water limiter
- Metal handle with red and blue colour indication
- Cache aerator 5l/min (Mounted on the product)
- Metal pop-up waste
- Easy fix installation
- Flexible hoses G3/8" for water supply
- Comply with EN817

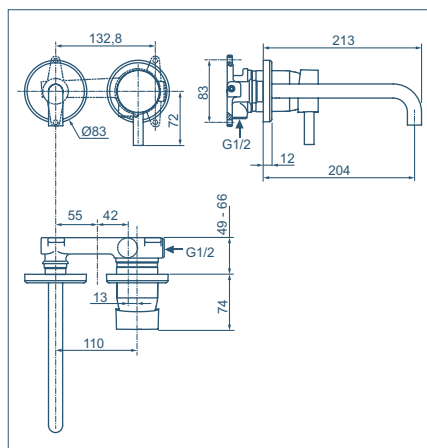


### Basin built-in mixer



Model	Ref. No.
Basin built-in mixer Built-in KIT 2 (visible part)	A6938AA
Kit 1 (internal part)	A5948NU

- 47 mm IS ceramic cartridge
- Metal handle with red and blue colour indication
- Tubular spout 195 mm
- Cache aerator
- To be used only in combination with: A5948NU Kit 1 (internal part) (order separately)
- Comply with EN817



# CERALINE

## TECHNICAL SPECIFICATION

Basin mixer with high spout with pop-up waste



**Model** Ref. No.

Basin mixer with high spout with pop-up waste BC195AA

- 35mm ceramic cartridge with hot water limiter
- Metal handle with red and blue colour indication
- Tubular spout R160
- Aerator 5l/min
- Easy fix installation
- Flexible hoses G3/8" for water supply
- Metal pop-up waste
- Comply with EN817

Bidet mixer with pop-up waste



**Model** Ref. No.

Bidet mixer with pop-up waste BC197AA

- 35mm ceramic cartridge with hot water limiter
- Metal handle with red and blue colour indication
- Flexible hoses G3/8" for water supply
- Metal pop up waste
- Easy fix installation
- Aerator with ball joint 5l/min
- Comply with EN817

Shower mixer exposed

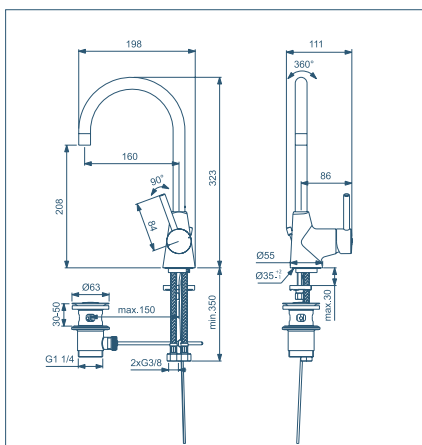


**Model** Ref. No.

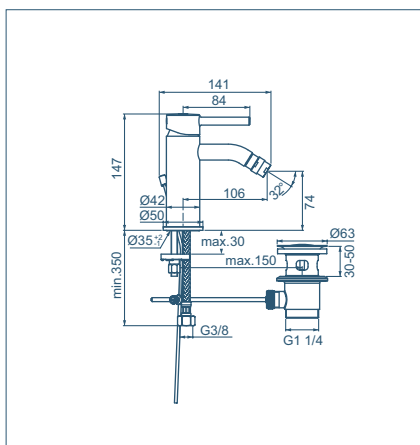
Shower mixer exposed BC200AA

- 35mm ceramic cartridge with hot water limiter
- Metal handle with red and blue colour indication
- Check valve
- Standard S-Connections
- Comply with EN817

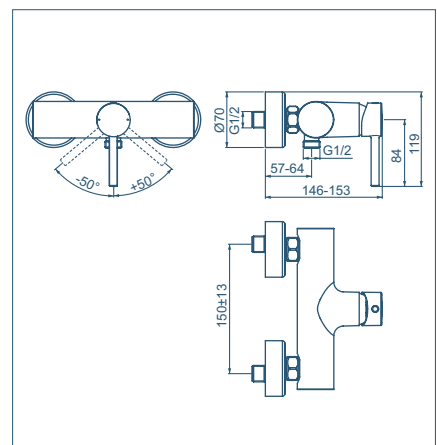
5 ГОДИННА ГАРАНЦИЯ



5 ГОДИННА ГАРАНЦИЯ



5 ГОДИННА ГАРАНЦИЯ



# CERALINE

## TECHNICAL SPECIFICATION

### Bath Shower mixer exposed



Model	Ref. No.
Bath Shower mixer exposed	BC199AA

- 35mm ceramic cartridge with hot water limiter
- Metal handle with red and blue colour indication
- Check valve
- Standard S-Connections
- Noise reducers
- Cache aerator
- Automatic diverter
- Comply with EN817

### 4-hole Bath & Shower mixer with spout



Model	Ref. No.
4-hole Bath & Shower mixer with spout	BC198AA

- RIM mounted G1/2 nuts with sealing system for water supply system connections
- Ceramic valves G1/2 90° left and right
- Metal handles
- Manual diverter
- Perlator aerator
- With accessories:
  - - IdealRain Soft 3F hand spray 80 mm
  - - double clenched metal hose
- Comply with EN817

### Shower built-in mixer

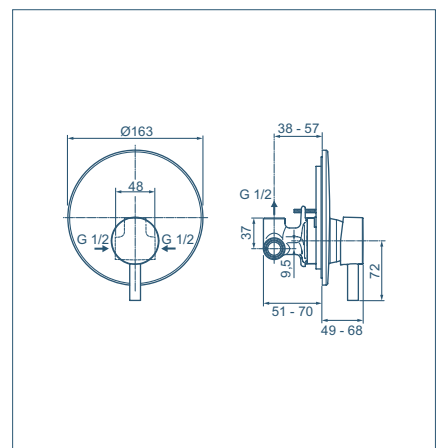
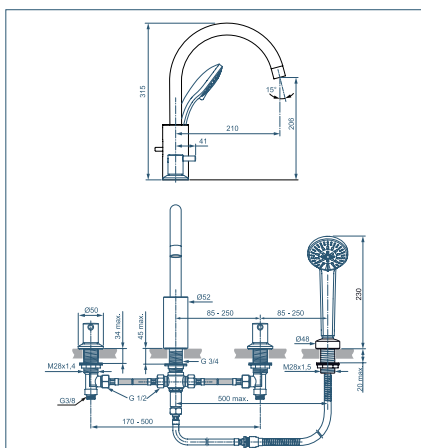
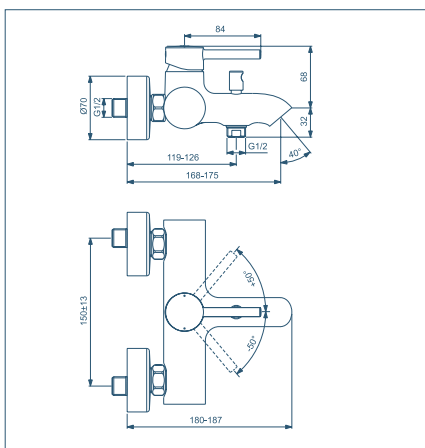


Model	Ref. No.
Shower built-in mixer	A6940AA

- Kit1+Kit2 version ( complete set )
- 47mm Click cartridge
- Metal handle with red and blue indicator
- Chrome plated plastic escutcheon
- Comply with EN817



5  
ГОДИНИ  
ГАРАНЦИЯ



# CERALINE

## TECHNICAL SPECIFICATION



Easy-Fix  
installation



Temperature  
control



Water  
saving



5 years  
warranty

Bath/ Shower built-in mixer

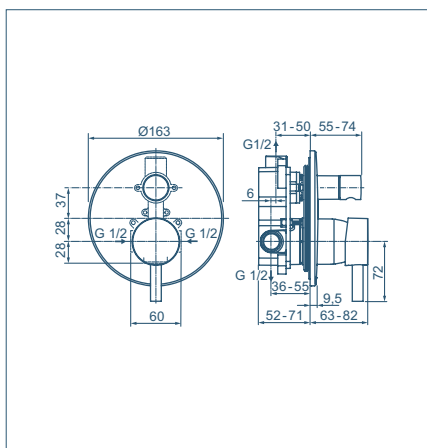


Model	Ref. No.
Bath/ Shower built-in mixer	A6939AA

- Kit1+Kit2 version ( complete set )
- 47mm Click cartridge
- Automatic diverter
- Metal handle with red and blue indicator
- Chrome plated plastic escutcheon
- Comply with EN817



5  
ГОДИНИ  
ГАРАНЦИЯ



## AFFORDABLE QUALITY

One of our priorities is to offer high-quality design at reasonable prices. The CERALINE collection is yet another step in this direction. The collection's pure design and reliability in terms of integrity, hygiene, and durability, combined with an excellent value-for-money ratio, make it the perfect solution for individual family bathroom as well as larger public facility projects.

Ideal Standard-Vidima AD

53 Marin Popov Street  
5400 Sevlievo, Bulgaria  
Tel: +359 675 30362  
office@idealstandard.com

Representative office, Riga

A. Briana str. 9a,  
Riga, LV- 1001, Latvia  
Tel: +371 67357 792  
Fax: +371 67357 795  
vdorogoi@idealstandard.com

Representative Office, Bucharest

Cotroceni Business Center  
Bd. Iuliu Maniu, nr 7, corp T,  
Floor 2, office A1, Sector 6  
061072 Bucharest, Romania  
Tel/Fax: +40 21 322 3201

Representative office, Belgrade

Drinčićeva no.19, apartment no.8  
11000 Belgrade, Serbia  
Tel/Fax: + 381 11 7138 058  
+ 381 11 7138 059  
obelgrade@idealstandard.com

Representative Office, Budapest

IS-Hun Kft  
1221 Budapest, Hungary  
Aranyfácán u 20  
Tel: + 36 30 6991594  
zgarai@idealstandard.com

Contact for Albania, Kosovo

and Bosnia & Herzegovina  
Tel: +359 887709696  
imichev@idealstandard.com

Contact for Croatia

Mobile: +38591 22 99 304  
hpavacic@idealstandard.com

Contact for Slovenia

Tel: +39 040 2158058  
info@liaison.it



Ideal Standard